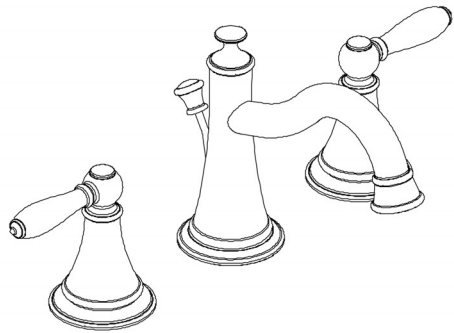


## Instructions for Models:

SB-1121  
SB-1121-BN  
SB-1121-PN



## Need Help?

For additional assistance or service call:

**SPEAKMAN** Company  
400 Anchor Mill Road  
New Castle, DE 19720

PHONE: 800-537-2107  
EMAIL: [customerservice@speakmancompany.com](mailto:customerservice@speakmancompany.com)  
WEB: [www.speakmancompany.com](http://www.speakmancompany.com)

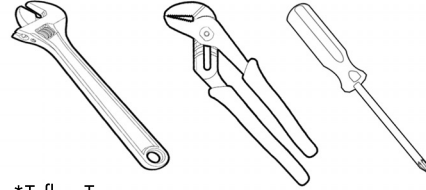
92-3344-R1

## What You Need To Know:

### Tools:

#### Required:

\*Adjustable Wrench   \*Groove Joint Pliers   \*Phillips Screwdriver

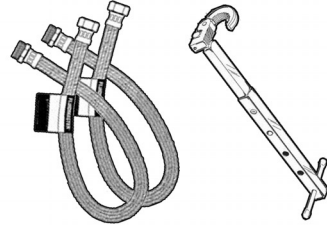


\*Teflon Tape

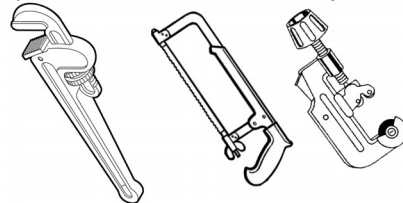


#### Helpful:

\*Supply Lines   \*Basin Wrench

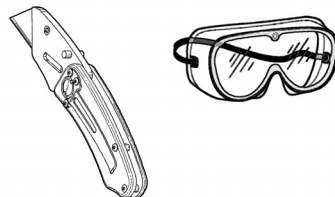


\*Pipe Wrench   \*Hacksaw   \*Tubing Cutter



\*Utility Knife

\*Eye Protection



## What You Need To Know:

### Important Notes:

Be sure to read instructions thoroughly before beginning installation. Do not overtighten any connections or damage may occur. This faucet has an operating range of 20-80 psi.

### Safety Tips:

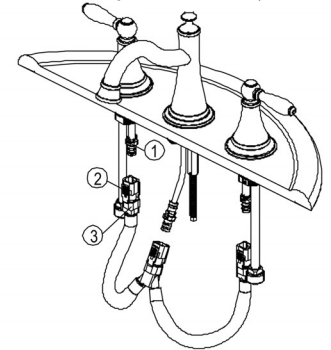
Cover your drain to prevent loss of parts.

Be sure to wear eye protection while cutting pipe.

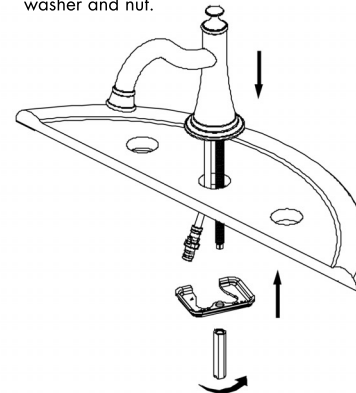
### Maintenance:

Your new Lavatory Faucet is designed for years of trouble-free performance. Keep it looking new by cleaning it periodically with a soft cloth. Avoid abrasive cleaners, steel wool, and harsh chemicals as these will dull the finish and void your warranty.

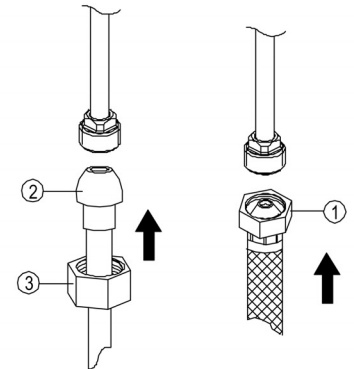
**3** Align tabs (1) and (2) on quick connects (3). Push quick connect housing firmly upward and snap onto receiving tube tab. Pull down moderately to ensure connection has been made. If it is necessary to remove quick connect, squeeze tabs on hose between index finger and thumb, then pull down to disconnect.



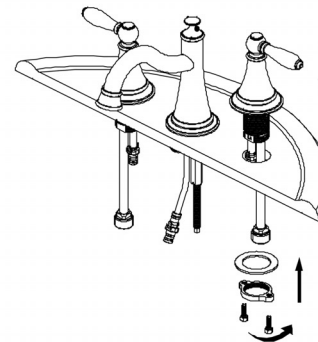
**1** Shut off water supplies. Remove old faucet. Clean sink surface in preparation for new faucet. Place spout thru mounting hole in sink. Secure spout with washer and nut.



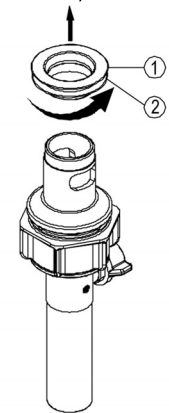
**4** Make connections to water lines. Use 1/2" IPS faucet connections (1) or use the supplied coupling nuts (3) with 3/8" O.D. ball nose risers (2). Use wrenches to tighten connections. Do not overtighten.



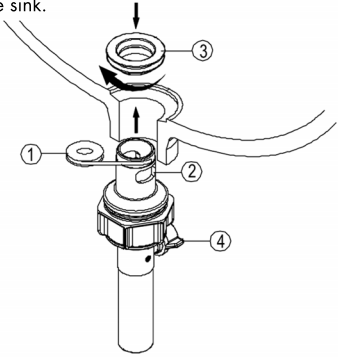
**2** Slide Hot and Cold end valves thru sink mounting holes. Make sure long tubes are installed facing away from spout. Note: Hot side end valve is labeled. Secure end valves with washers and nuts. Hand tighten nuts onto shank. Lock nuts into position by tightening screws.



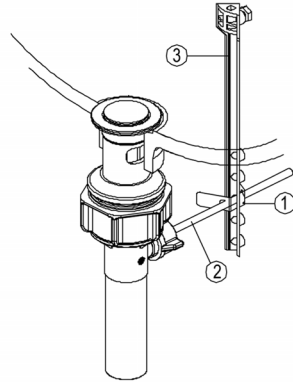
**5** Remove flange (1) and rubber washer (2) from pop-up drain assembly.



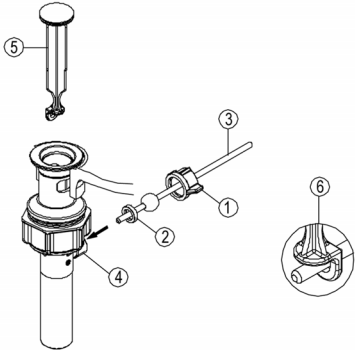
**6** Add Teflon Tape (1) to the drain body (2). Apply the provided gasket or plumber's putty to the underside of the flange (3). Insert the threaded end of the drain body up through the drain hole and attach flange to the body with the pivot (4) pointing to the rear of the sink.



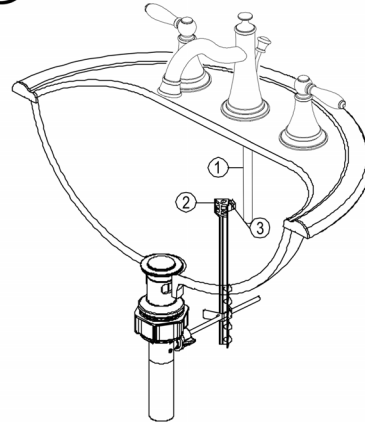
**9** Place one end of spring clip (1) on the end of horizontal rod (2). Insert rod through hole in lift rod strap (3). Secure with spring clip (1)



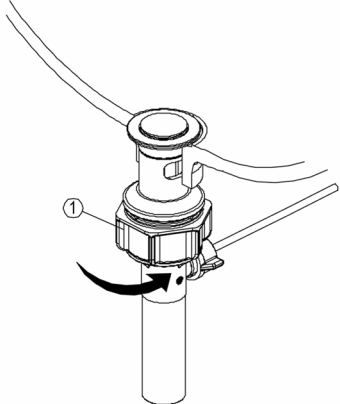
**7** Unscrew the nut (1) from the pop-up body. Note: retain the seal (2) on the horizontal rod (3). Place the nut onto the horizontal rod and insert the rod and seal (2) into the pivot hole (4). Install stopper (5) as non removable (6). Slide nut (1) on and hand tighten only.



**10** Insert lift rod (1) into strap (2) and tighten screw (3)



**8** Tighten nut (1) clockwise until the pop-up drain assembly is secure.



**11** **IMPORTANT:** After installation is completed, remove aerator. Turn on water supply and allow both hot and cold water to run for at least one minute each. While water is running, check for leaks. Replace aerator.

